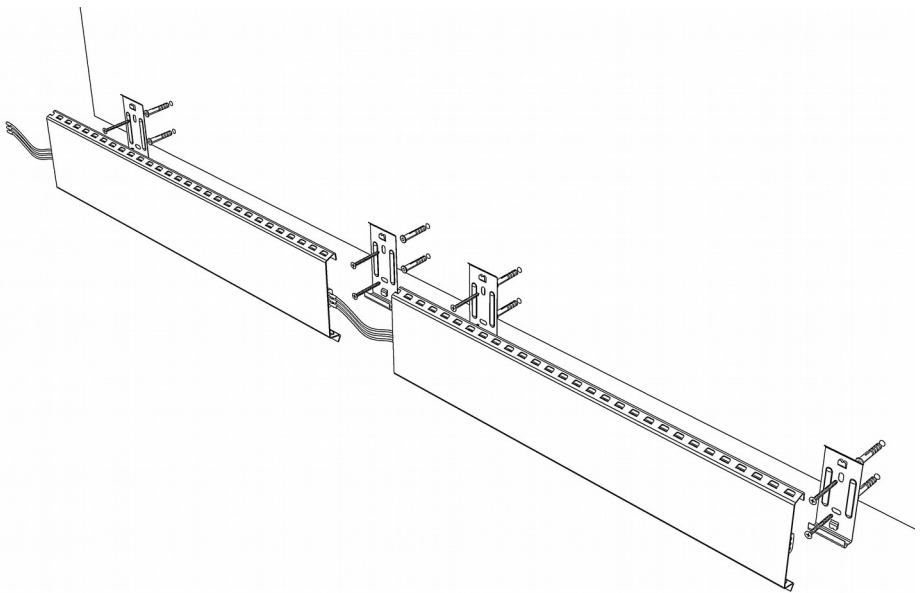


CARBON FIBER MODULAR HEATING SYSTEM INTEGRATED IN PLINTH

User and maintenance instructions



Manufacturer: Thermal Technology SRL- Str Calea Borsului Nr 53B; 410605 Oradea Romania

Tel.: +40 359 800893 - Fax: +40 359 800894

Web: www.thermaltt.com – Mail: info@thermaltechnology.ro

Congratulations!

You are now the owner of the modular heating system integrated in plinth by Thermal Technology®

Modular heating system for plinth by Thermal Technology® with a low power consumption and high tech technology, occupies little space, has a modern design which combines Carbon Fiber technology and robust steel.

The following User and maintenance instructions has the scope of helping You with a correct installation and maintenance of the heating system, so we ask You to read it attentively and contact the assistance centre if needed.

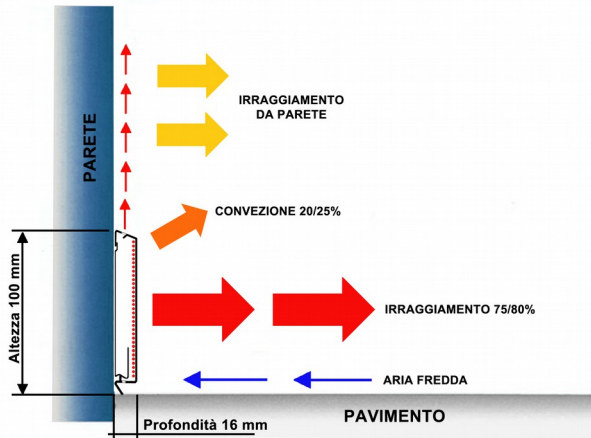
CONTENT



1.	
Introduction.....	4
2. Premises.....	5
3. Product identification.....	5
4. Package content.....	6
5. Safety cautions.....	6
5a. Installation cautions.....	7
5b. Precautions for use.....	7
6. System's size.....	8
7. Plinth position.....	8
8. Connection to the electric network.....	8
9. Mounting instructions.....	9
10. Maintenance and cleaning.....	10
11. Product unpacking.....	11
12. Precautions.....	11
13. Conformity.....	12
14. Warranty.....	12
15. Technical service.....	12
Pictures.....	13

1. Introduction

Modular heating system in plinth by Thermal Technology® combines the comfort and energy saving demands, it occupies little space due to a very reduced size, which makes it perfect for restorations.



It is a healthy technology and is very comfortable, functioning particularly through radiation (75 - 80%) releasing a natural heat diffusion, also in case of damp wall - the system dries it gradually.

The diffusion of the heat by convection is very reduced (20 - 25%), it is not generating the movement of dust particles and bacteria.

The system's elements could also be positioned under sockets or behind the furniture without causing overheating, being individually equipped with safety thermostats of 70°C which interrupts the operation without affecting the rest of the installation.

The particular operation with thermostating of the each individual heating element permits the operational optimization, uniformizing the temperature of all the walls.

2. Premises

The present user and maintenance instructions for the modular heating system integrated in plinth by Thermal Technology® is a fundamental instrument for its correct utilization. Keep it in a dry and protected place for a future consultation.

3. Product identification

Modular plinth by ThermalTechnology ®	COMPONENTS										
	Heating element	Heating element	Non heating element	Non heating element	Inside angle	Outside angle	Final cap right or left	Power supply cable	Module/module cable	Module/module cable	5 wall brackets Kit+ screws
Height cm	10	10	10	10	10	10	10				
Length cm	200	100	100	50	10	10	1	300	150	75	
Width cm	1,6	1,6	1,6	1,6	1,6	1,6	1,6				
Weight kg	3,0	1,5	1,2	0,6	0,1	0,1					
Power supply	230V 50 Hz										
Power W	240	120									

4. Package content

Elements with resistance:

- 2 pcs. heating elements 2,00 meters long - cardboard package
- 2 pcs. heating elements of 1,00 meters long - cardboard package

Elements without resistance:

- 2 pcs. non heating elements of 1,00 meters long - cardboard package
- 2 pcs. non heating elements of 0,50 meters long - cardboard package
- 2 pcs. inside angles - nylon envelope
- 1 pc. outside angles - nylon envelope
- 2 pcs. final plug right and left - nylon envelope
- 2 kit with brackets for the wall with screws, 5 pc. brackets, 10 pc. dowels, 10 pc. screws, 1 pc. wooden width - nylon envelope

Power supply cables:

- 1 pc extension cord of 3,00 meters long - male faston (clockwise)
- 1 pc extension cord of 3,00 meters long - female faston
(counterclockwise)
- 1 pc module/module cable of 1,50 meters long - cardboard box
- 1 pc module/module cable of 0,75 meters long - cardboard box

5. Safety cautions

In this paragraph you will find simple rules which you should respect when using your modular heating system for plinth by Thermal Technology® in safety conditions.

5a. Installation cautions

Before the beginning of the installation of your modular heating system in plinth by Thermal Technology® perform the following verifications, in the presented order:

1. the package content must match with the objects listed in paragraph 3 of the present instructions libretto;
2. check if the content were not damaged during transportation;
3. verify that the voltage on your system is the same as indicated in the plate containing the technical data of the heater;
4. verify if your electric system is appropriate to the total power of the used elements (gather the nominal power of the heating elements).

ATTENTION

Modular heating system in plinth by Thermal Technology® produce heat, so consider please this aspect when choosing the installation place, particularly, make sure that there are no inflammable material in vicinity.

Do not use in an immediate vicinity of a bathroom tube, shower or pool.

5b. User cautions

Modular heating system in plinth by Thermal Technology® is an electric device so it must not have contact with water.

If there are damages to the power supply cable, contact immediately the assistance centre for its replacement and do not use the device until the substitution of the cord.

Draw attention in particular to the usage if in the room are present children.

6. System's size

Modular heating system in plinth by Thermal Technology® is manufactured using a special patented technology based on Carbon Fiber resistors which permits electric energy savings up to 40%, starting from the heating power, in comparison with the traditional systems with metallic resistors.

For a correct dimensioning of the system, it is being calculated the local DISPERSION for transmission and ventilation following the indications presented by the Normative UNI 7357/74 and successive updating. From the dispersion CALCULATING, it is being obtained a value in Watt for each single ambient. Considering that each linear meter of the heating plinth has a power of 120 W, it is enough to divide the resultant Watts from the calculation at 120, to determine the quantity of linear meters of heating plinth necessary for the comfort of each single room.

7. Plinth position

When positioning the plinth in the individual rooms, put the heating elements starting preferably from the external wall, leaving the non heating elements for internal walls. By doing so, the radiant surface of the plinth compensates the colder surfaces present on the external wall, creating a weak and ascendant air convection current contrasting the cold air which tends to go down the walls.

8. Connection to the electric network

Place the elements along the wall **FOLLOWING THE MOUNTING INSTRUCTIONS PRESENTED IN THIS MANUAL. ALL THE OPERATIONS MUST BE PERFORMED BY QUALIFIED PERSONNEL.** The connections between the heating elements is already obtained during the mounting on the wall due to the practical and simple modular system with faston connectors predisposed on each heating element. The connection to the electric network is performed using the supplied extension with predisposed faston connectors. The system's power supply must be adjusted by an ambient thermostat inserted in each single room.

9. Mounting instructions

1. Define the number and the dimensions of the heating elements necessary for the system to be installed (*Pic. 1*);
2. Begin the mounting by placing all the provided angles, and mark on the wall the end of each vertical side(*Pic. 2*);
3. Place the mounting bracket on the centre of each sign made on the wall, by raising from the floor using the wood holder provided with the kit (*Pic. 3*);
4. Before fixing the metallic corners on the mounting brackets, place the extension cable module / module of 75 cm (*Pic. 4*). Insert the metallic angle from the upwards in the bracket's upper lip, making a pressure downwards with the hand (*Pic. 5A/B*) and then on the bottom of the corner against the wall (*Pic. 5C*), until the blockage click (*Pic. 5D*).
5. Place along the wall the heating elements and mark the final point of each element on the wall, for placing later the mounting bracket in centre of it (*Pic. 6*).

6. Mark the position of the intermediate brackets: for the element with a 2 ml at about 65 cm from the edge and for the element of 1 ml at about 50 cm from the edge;
7. Fix all the brackets always holding them spaced from the floor level, using the wooden holder (*Pic. 3*);
8. Proceed to the blockage of the first element (*Pic. 5A/B/C/D*), starting with the supply (*Pic. 7*);
9. Place the following element connecting to the first using faston, and then fix it on the wall (*Pic. 8*);
10. Continue the mounting of the remaining elements until the completion (*Pic. 9*), bearing in mind the placing inside the non heating elements the extension module/module (*Pic. 4*);
11. Mark and cut the buffering non heating elements and fix them in their position;
12. Set the extension cord and connect with the faston of the first plinth element;
13. Included with the extension there are 3 shrink tubes that is MANDATORY to be used on the last baseboard, inserting on the faston connector remained free and restrict them by heating with a hair dryer or weak flame.
14. The electrical connection must be made by qualified personnel, following the instructions of the diagram (*Pic. 10*).

10. Maintenance and cleaning

Modular heating system in plinth by Thermal Technology® does not require any particular maintenance activity, it is still recommended to remove periodically the dust which can deposit, with a soft dry cloth.


Before performing any intervention or maintenance, or any another action which is not a part of the normal operation of the modular heating system in plinth by Thermal Technology®, proceed as follows: turn off the system disconnecting it from the electric socket, wait until the elements are cooled.

11. Product unpacking

Modular heating system in plinth by Thermal Technology® is an electric equipment and as such it must be disposed of separately.

At the end of the life period of the equipment, deliver the product to the appropriate collection centres predisposed in each communal administration, or to the retailers which offer such services.

You also have the opportunity to return the equipment to the distributor when purchasing a new one.

Bear in mind the interdiction of casting the product as municipal waste, you will find under the product's identification plate the following mark  (crossed bin). Differential casting of electric and electronic equipment is very important in order to avoid negative consequences on the environment caused by some substances contained in the devices; differential casting consists also of recycling some materials bringing a contribution to the electric energy and natural resources savings.

12. Warnings

If power supply cable is damaged it must be substituted by the manufacturer or by its technical assistance service, or by the personnel with similar qualifications. In case of installing inside of a bathroom, it must not be installed in places where it could be touched by a person which is in a bathtub or shower. In case of installation in vicinity of a bathtub, shower or

sink, it must be respected the distances of at least 60 cm from the various edges , stipulated by the normative .

13. Conformity

This product complies with the electrical safety measures in accordance with 2006/95/EC Low Voltage Directive and with the 2004/108/CE which refers at the electromagnetic fields.

14. Guarantee

The products with the mark of Thermal Technology® are manufactured by Thermal Technology srl. Thermal Technology srl provides a guarantee for the product of 24 months beginning with the date of purchase. This warranty does not cover: damages caused by improper use, the defects that have a negligible effect on the value and operation of the product.

Thermal Technology srl riservs the right to modify and change the present User and maintenance at any time and without prior notice - Rev. Nr.2 from06/12/20100

15. Technical service

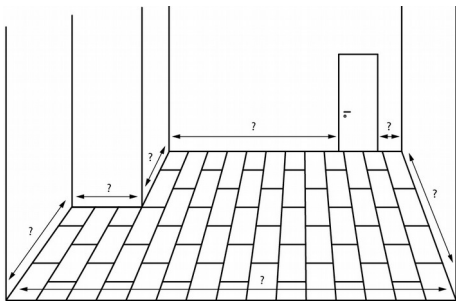
For technical assistance please contact the technical office of Thermal Technology srl:

THERMAL TECHNOLOGY s.r.l.

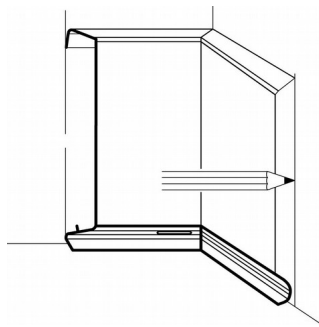
Thermal Technology SRL- Str Calea Borsului Nr 53B; 410605 Oradea Romania
Tel.: +40 359 800893 - Fax: +40 359 800894

www.thermaltt.com, info@thermaltechnology.ro

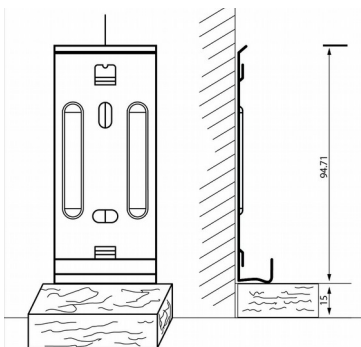
PICTURE



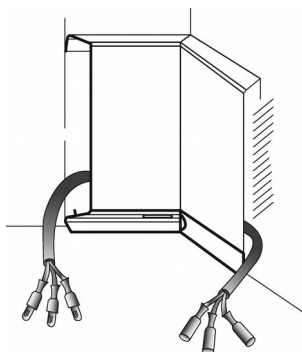
Pic. 1



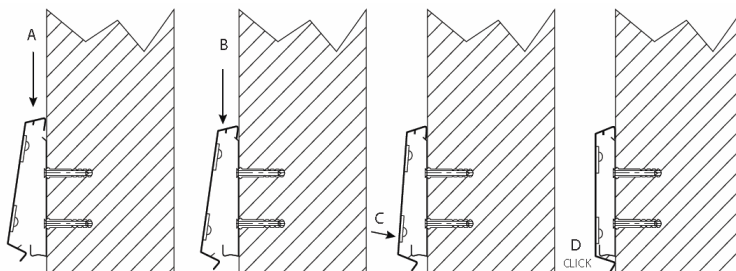
Pic. 2



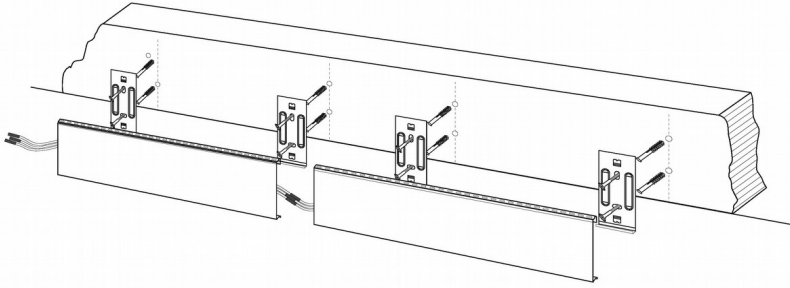
Pic. 3



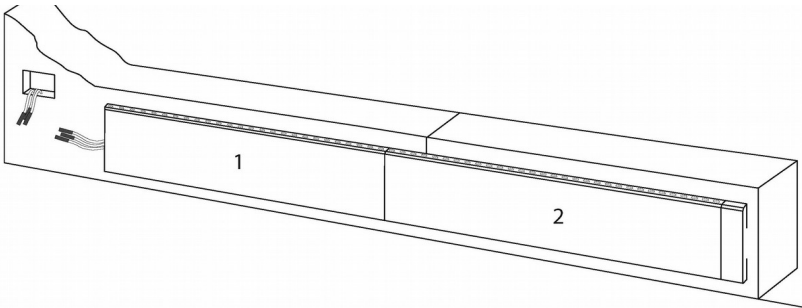
Pic. 4



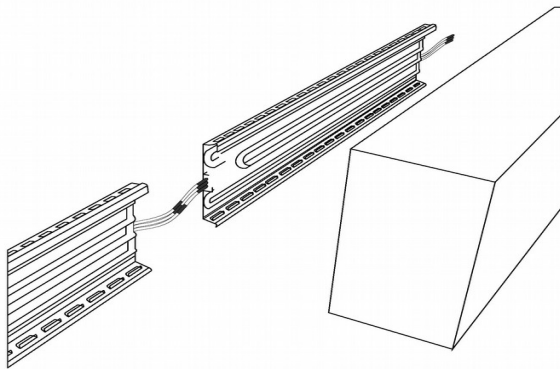
Pic. 5



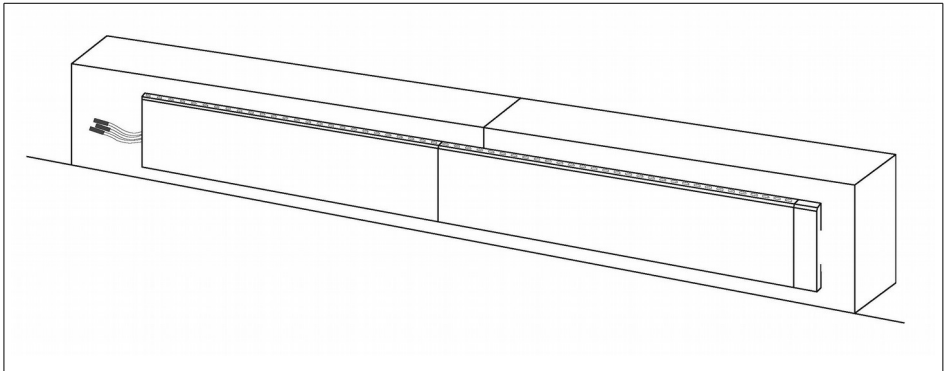
Pic. 6



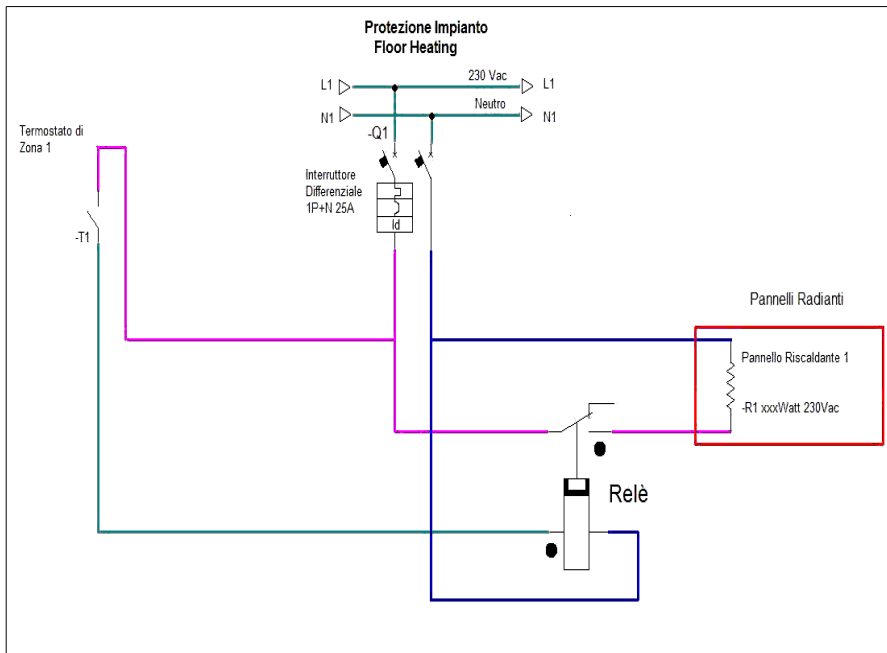
Pic. 7



Pic. 8



Pic. 9



Pic. 10



MANUFACTURER :

Thermal Technology SRL

Str Calea Borsului Nr 53B;
410605 Oradea Romania
Tel.: +40 359 800893 -
Fax: +40 359 800894
www.thermaltt.com,
info@thermaltechnology.ro